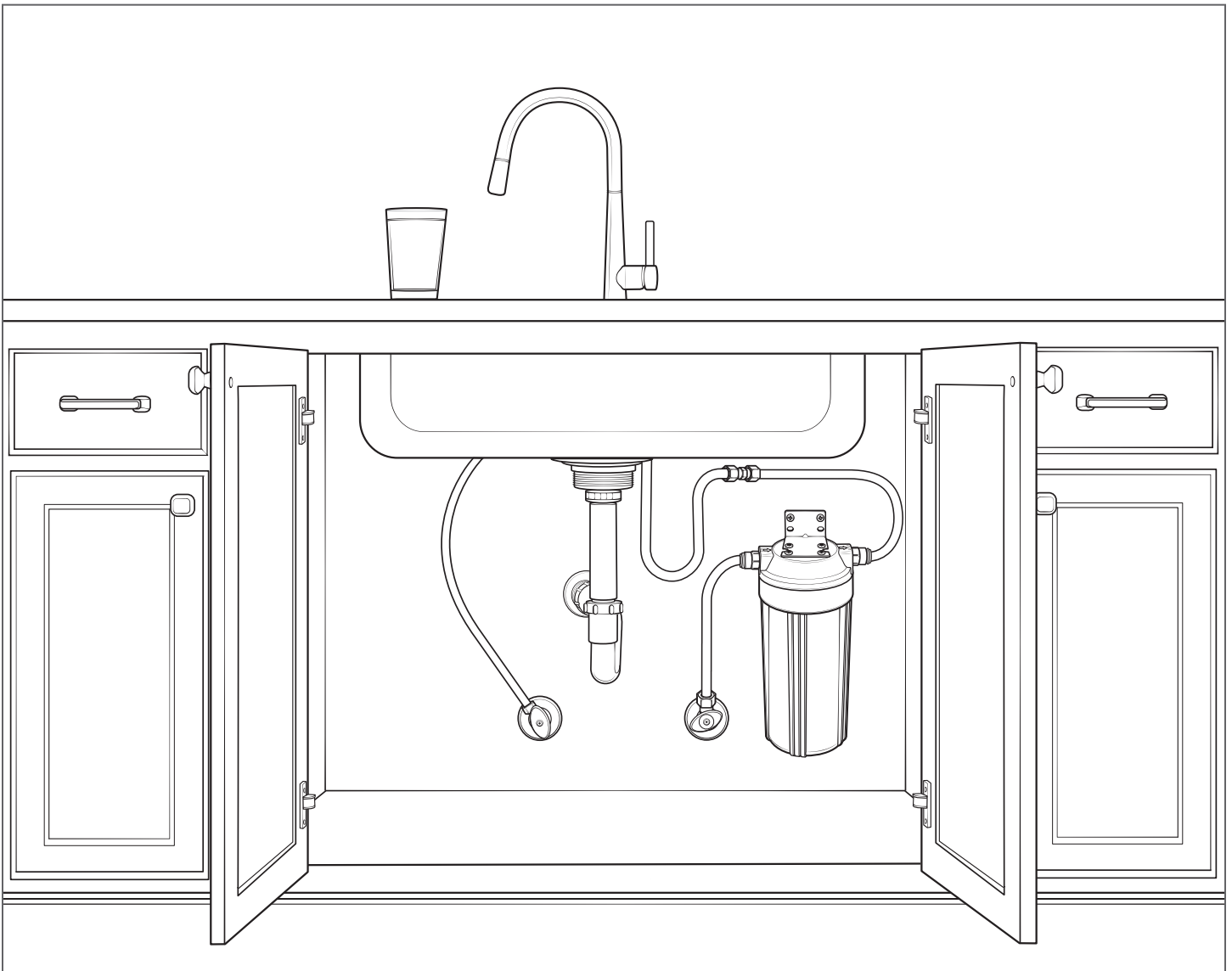




Direct Connect

Water Filtration System

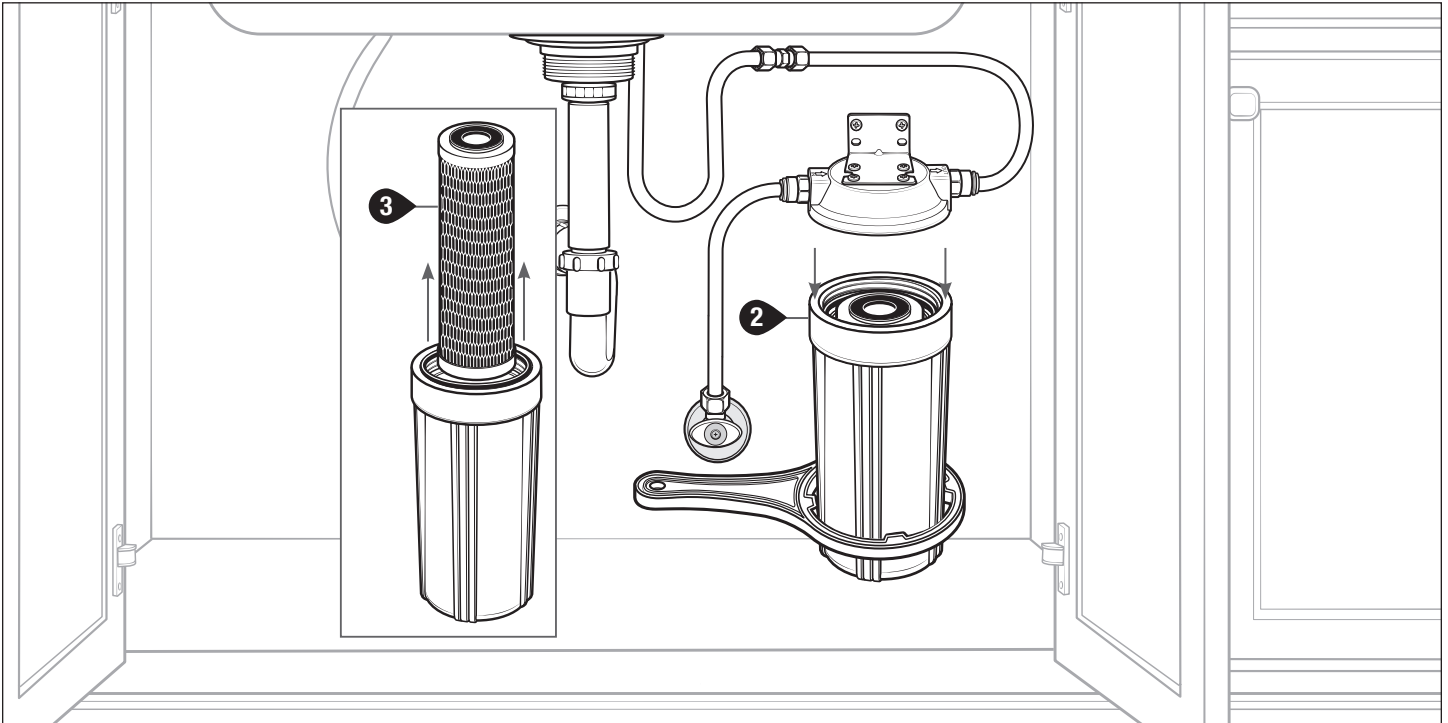


Maintenance

If the filter becomes clogged due to poor water quality it should be cleaned as needed. If flow is not restored after cleaning, the filter will need to be replaced. At a minimum, the filter should be replaced every 12 months.

Follow these steps to replace or clean the Filter:

1. Place a towel(s) under the cold-water shut-off valve. Shut off the water supply by closing the cold-water shut-off valve. Open the cold-water side at the faucet to relieve the water pressure.
2. Remove the Housing Sump using the Housing Wrench.
3. Remove the old Filter and gaskets.



Replacing the Filter

4. Place the new Filter and gaskets in the Housing Sump.
5. Re-attach the Housing Sump to the Housing Cap and hand tighten. Do not over-tighten.
6. Slowly open the cold-water shut-off valve, checking the Housing Cap and Housing Sump connection for leaks. If there is a leak, using the Housing Wrench, tighten the Housing Sump by rotating it in small increments until firmly secured and no leaks present.

Tip: Over-tightening the Housing Sump will make future removal difficult.

+" Ü" } Á@ Áæ &^oGÁ ÁÁ á ~ c•Á Á!^& } áää } Á@ Á
 ác!É@ } Á! } Á -Á@ Á æ!Áá á/á •]^&Áæ áá Á! Á
 |æ • ÉQ • @Á Áääáá } áÁÁ Á Á á ~ c•Á Á!^!^Á
 ~^ÉU{ á/Á|æ Áæá[} Á æáÁ • Á! } á * Á! • @ * Á
 æ^Á! |{ áÉ

," Discard the old Filter and gaskets.

Cleaning the Filter

- % Take the Filter to another sink or re-attach the Housing Sump to the Housing Cap.
 - &" Under cold water, gently rub the outside of the Filter.
 - " Return the Filter and gaskets back the Housing Sump.
 - (" Rinse the Filter after rubbing the entire surface.
 -)" Re-attach the Housing Sump to the Housing Cap and hand tighten. Do not over-tighten.
 - ** Slowly open the cold-water shut-off valve, checking the Housing Cap and Housing Sump connection for leaks. If there is a leak, using the Housing Wrench, tighten the Housing Sump by rotating it in small increments until firmly secured and no leaks present.
- +" Ü" } Á@ Áæ &^oGÁ ÁÁ á ~ c•Á Á!^& } áää } Á@ Á
 c@ } Á! } Á -Á@ Á æ!Áá á/á •]^&Áæ áá Á! Á æ • ÉQ • @
 á Áääáá } áÁÁ Á Á á ~ c•Á Á!^!^Á • ÉU{ á/Á|æ Á
 &æá[} Á æáÁ • Á! } á * Á! • @ * Áæ^Á! |{ áÉ